

LST Standard

Stelrad's range of low surface temperature radiators is the most comprehensive in the UK and has been designed to simplify product selection, with sizes and models to suit all applications. Installation has been made as easy as possible and all the components

required are included in one robust pack. They meet NHS Guidance for 'Safe hot water and surface temperature' and come with anti-bacterial paint as standard - making them the No.1 choice for safety critical environments.



Standard 72 models

Heights: 500mm to 750mm

Lengths: 650mm to 2050mm

Outputs: 196 to 2767 watts, 668 to 9442 Btu/hr

LST Standard & LST Plus temperature table

TEMPERATURES

Factors for differences between mean water temperature and room temperature in °C and °F other than 50°C (90°F)

°C		°F	
5	0.050	10	0.057
10	0.123	20	0.142
15	0.209	30	0.240
20	0.304	40	0.348
25	0.406	50	0.466
30	0.515	60	0.590
35	0.629	70	0.721
40	0.748	80	0.858
45	0.872	90	1.000
50	1.000		

To apply the factors shown in the table above to our quoted outputs, multiply the quoted output by the chosen operating factor to give the new output.

To apply the factor to the required output, divide the required output by the factor to give the correct radiator from the LST range.

Testing and operating pressures

All models are high pressure tested to withstand 152.3 psi (10.5 bar), to perform at a maximum working pressure of 116 psi (8 bar) at a maximum temperature of 80°C.

Caution

To ensure that the emitter complies with all aspects of the NHS guidance for “Safe hot water and surface temperature”, Stelrad recommends that a maximum flow temperature of 80° be used with a 20° drop across the system.

When designing for domestic systems we recommend that the Stelrad LST range be used only in heating systems complying with the British Standard Code of Practice for Central Heating for Domestic Premises BS EN 2828:2003 and BS EN 12831:2003.

Single feed, indirect cylinders are not recommended as should interchange of water occur, fresh aerated water would enter the heating system, resulting in corrosion.

Water treatment

On completion of the installation, the system should be properly flushed and filled in accordance with the British Standard Code of Practice for the Treatment of Water in Domestic Hot Water Central Heating Systems BS 7593:2006.

This will remove flux residues and installation debris, which might promote corrosion and damage within the system.

If it is decided to apply a high performance corrosion inhibitor to maximise the working life of the system, it should be applied in accordance with the manufacturer's instructions and should be suitable for the particular metals within the system.

A comprehensive range of quality chemicals including inhibitors, cleaners, leak sealers and noise reducers that protect and maintain central heating systems can be obtained from:

Sentinel Performance Solutions Ltd
The Heath Business & Technical Park, Runcorn,
Cheshire WA7 4QX

Tel: 01928 588 330 (UK)

Fernox - Cookson Electronics,
Forsyth Road, Sheerwater, Woking,
Surrey GU21 5RZ

Tel: 01483 793200

Anti-bacterial paint

Every Stelrad LST emitter is subjected to a multi-stage cleaning process before the paint is applied. This involves several rinsing stages, including an iron phosphate and demineralisation phase.

The first coat of paint is applied by electrophoresis and the radiator is then stoved and cooled. Followed by a second powder coat in warm white, the emitter then goes through a final curing stage. It is then allowed to cool prior to packaging.

All exposed painted surfaces are finished in a long lasting anti-bacterial coating.

For further information and advice call Technical Support on: 01482 498663.



Accommodated within the casing, the Stelrad LST Plus emitter, with TBSE valve arrangement and 2 x 1/2" BSP connections as standard.



The remote sensing thermostatic valve gives accuracy of operation and the limiting device is completely hidden to prevent the maximum temperature being exceeded.



Optional cover cap to discourage unauthorised tampering.



An arthritic adaptor is supplied as standard for special needs environments.



Robust packaging protects the emitter and casing during storage and transit to ensure the product arrives in pristine condition.



The Stelrad STARS Heatloss Calculator contains an inbuilt U value calculator.

Save time and effort by using the Stelrad STARS program – the perfect solution for accurate sizing and design flexibility.

Installation

Everything required for the installation of the Stelrad LST Plus can be found in one robust pack. This includes the emitter and radiator casing panel, together with the required brackets. These are of a strong design, with open top and deep slots, which facilitate easy and secure installation. Plastic inserts seat the radiator precisely on the bracket minimising expansion and contraction noise. The neat nickel-plated plug and vent provide a watertight joint.

The radiator valves and pipework, together with kick grille/pipe cover grille and all required hardware fixings can also be found in this pack.

Remote sensing thermostatic valve

The Danfoss RAS-D Remote Sensor is designed specifically for commercial heating systems and can be pre-set to allow adjustment of room temperature between 5°C and 26°C. Special tools are not required, as the valve is gland seal removable.

Suitable for both 1/2" steel and 15mm copper piping, with left or right hand, same end connections for flow and return, gives flexibility of installation.

Lockshield valve

Able to withstand 10 bar static pressure, the valve has a drain tap adaptor available, which can also be used as a filling point. Mandatory fittings should be used in order to comply with current water regulations.

Connections

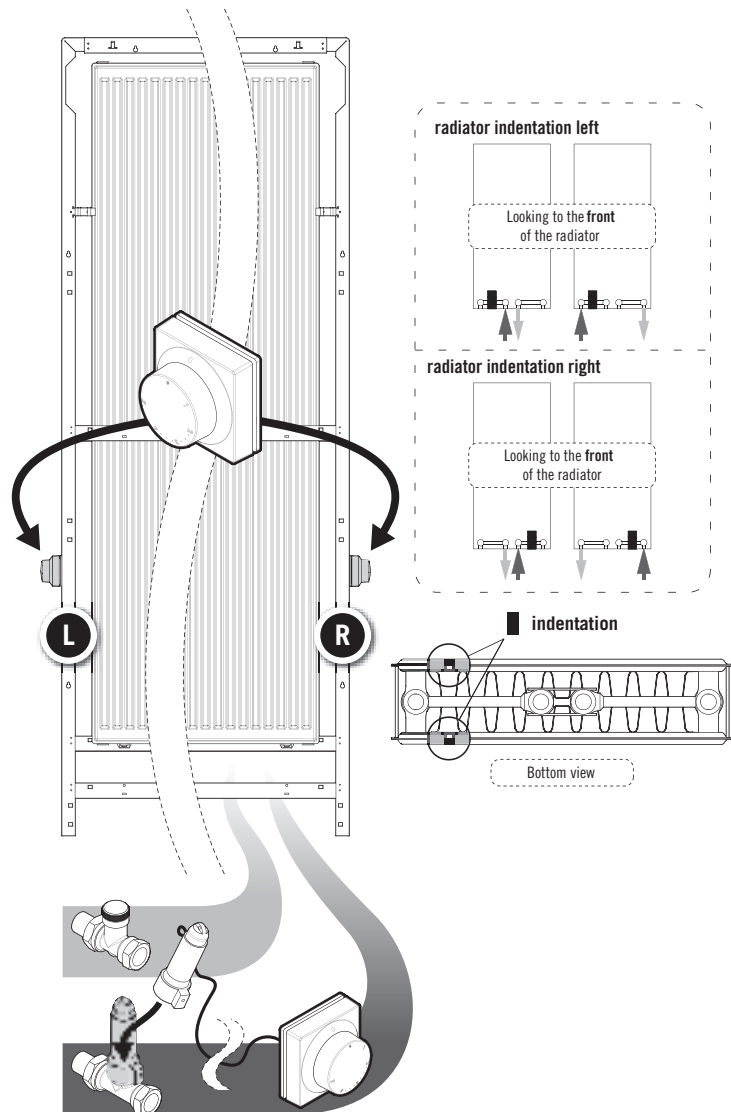
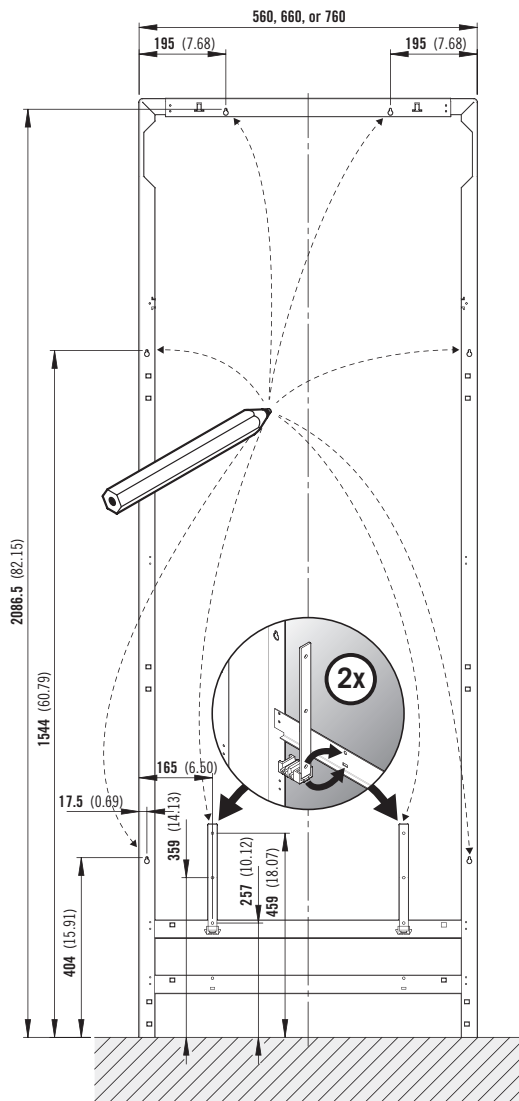
Each Stelrad LST Plus radiator has 2 x 1/2" connections as standard, complete with Danfoss remote sensing thermostatic radiator valve, pre-piped with 2 x 1/2" BSP connections at 50mm centres positioned at either left or right of the casing.

LST Plus Vertical installation instructions

All dimensions in mm. Inches in brackets.

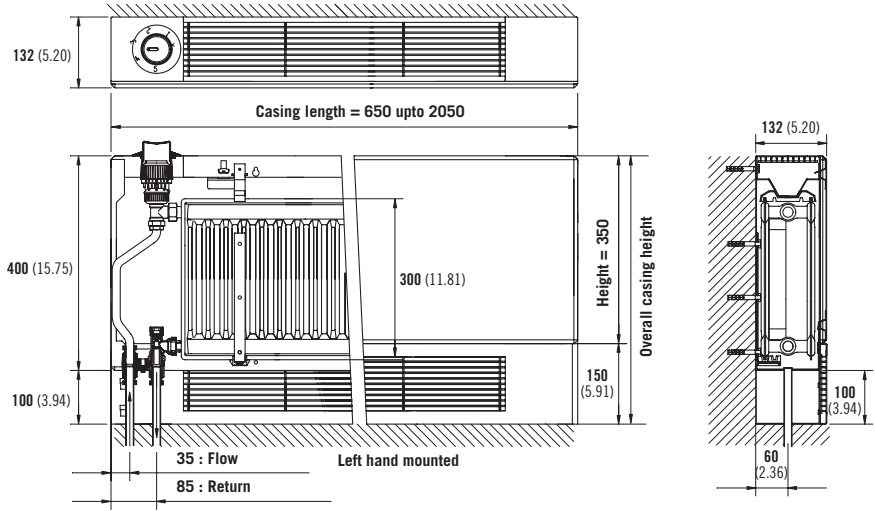
Present casing and bottom bracket to the wall and mark drill hole positions.

Fit pipework and valve connections to the radiator.



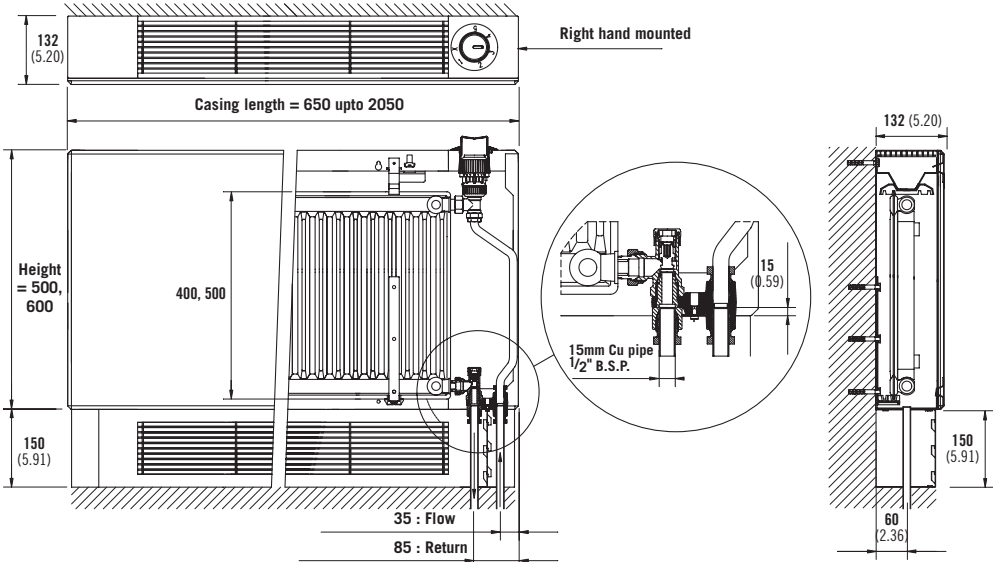
LST Plus 500mm wall mounted with integral kick grille

All dimensions in mm. Inches in brackets.



LST Plus 650mm & 750mm wall mounted

All dimensions in mm. Inches in brackets.



Stelrad LST Plus Vertical

50_{Δt}

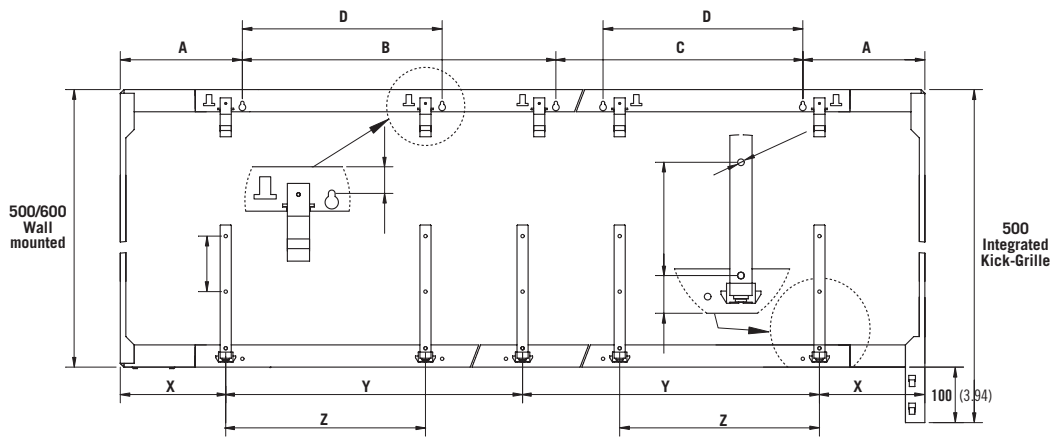
Casing Height	Casing Length mm	Emitter Height mm	Emitter Length mm	Heat output	
				Watts	BTU/H.
2110	560	1800	400	1271	4336
	660	1800	500	1588	5418
	760	1800	600	1855	6329

Weights & Measures

Casing Height	Casing Length mm	Dry weight Kg	Surface area m ² /m	Water content
				Litres
2110	560	35.52	11.96	6.48
	660	44.40	14.95	8.10
	760	53.28	17.94	9.72

LST Plus wall fixings and bracket positions

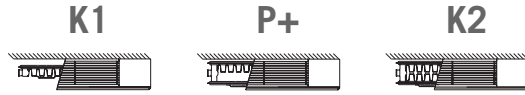
All dimensions in mm. Inches in brackets.



Casing Length	No. of brackets	Position Top				Bottom		
		A	B	C	D	X	Y	Z
650/850/10	2	270	-	-	-	240	-	-
1250	3	270	415	295	-	240	385	-
1450	3	270	515	395	-	240	485	-
1650/1850/2050	4	270	-	-	410	240	-	410

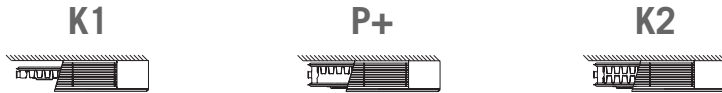
Stelrad LST Plus

30_{Δt}



Casing Height	Casing Length mm	Emitter Height mm	Emitter Length mm	Heat output		Heat output		Heat output	
				Watts	Btu/hr	Watts	Btu/hr	Watts	Btu/hr
500	650	300	400	105	357	149	510	186	636
	850	300	600	157	534	224	764	279	952
	1050	300	800	209	713	299	1019	372	1270
	1250	300	1000	261	891	373	1274	466	1588
	1450	300	1200	313	1068	448	1529	559	1907
	1650	300	1400	366	1248	523	1784	652	2225
	1850	300	1600	418	1425	597	2038	745	2541
	2050	300	1800	470	1604	672	2293	838	2859
650	650	400	400	136	464	200	682	235	801
	850	400	600	204	698	299	1021	353	1204
	1050	400	800	272	930	399	1362	470	1604
	1250	400	1000	340	1161	499	1703	588	2005
	1450	400	1200	408	1393	599	2044	705	2406
	1650	400	1400	476	1625	699	2384	822	2806
	1850	400	1600	545	1859	798	2724	940	3207
	2050	400	1800	613	2091	898	3065	1058	3609
750	650	500	400	173	590	237	810	287	981
	850	500	600	259	884	356	1216	431	1471
	1050	500	800	346	1179	475	1620	575	1961
	1250	500	1000	432	1474	594	2026	718	2451
	1450	500	1200	519	1769	713	2432	862	2942
	1650	500	1400	605	2065	831	2836	1006	3432
	1850	500	1600	691	2358	950	3242	1149	3922
	2050	500	1800	778	2653	1069	3646	1293	4412

Weights & Measures



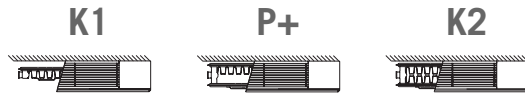
Casing Height	Casing Length mm	Casing Length in	Dry weight Kg	Water content Litres	Surface area m ² /m	Dry weight Kg	Water content Litres	Surface area m ² /m	Dry weight Kg	Water content Litres	Surface area m ² /m
850	33.4	7.91	1.43	1.77	12.14	3.14	2.07	13.75	3.14	2.98	
1050	41.3	9.77	1.81	2.19	15.00	3.88	2.56	16.98	3.88	3.69	
1250	49.2	11.63	2.19	2.61	17.89	4.62	3.05	20.55	4.62	4.39	
1450	57.1	13.49	2.57	3.03	20.72	5.36	3.53	23.46	5.36	5.09	
1650	64.9	15.36	2.94	3.44	23.57	6.10	4.02	26.69	6.10	5.79	
1850	72.8	17.22	3.32	3.89	26.43	6.84	4.51	29.93	6.84	6.49	
2050	80.7	19.08	3.70	4.28	29.29	7.58	5.00	33.16	7.58	7.20	
650	650	25.5	8.30	1.52	1.91	12.64	3.03	2.19	14.86	3.03	3.20
	850	33.4	10.86	1.98	2.50	16.54	3.73	2.89	19.43	3.73	4.18
	1050	41.3	13.41	2.45	3.09	20.43	4.90	3.53	24.01	4.90	5.17
	1250	49.2	15.91	2.92	3.68	24.32	5.83	4.21	28.37	5.83	6.15
	1450	57.1	18.53	3.39	4.27	28.21	6.77	4.88	33.16	6.77	7.13
	1650	64.9	21.08	3.89	4.86	32.10	7.70	5.56	37.73	7.70	8.12
	1850	72.8	23.64	4.32	5.45	36.00	8.63	6.23	42.30	8.63	9.10
	2050	80.7	26.19	4.79	5.12	39.89	9.57	6.90	46.88	9.57	10.09
750	650	25.5	10.55	1.82	2.47	16.00	3.65	2.80	18.80	3.65	4.11
	850	33.4	13.80	2.38	3.23	20.93	4.78	3.66	24.59	4.78	5.38
	1050	41.3	17.05	2.94	3.99	25.89	5.91	4.52	30.37	5.91	6.65
	1250	49.2	20.30	3.50	4.75	30.78	7.03	5.38	36.16	7.03	7.91
	1450	57.1	23.54	4.06	5.51	35.71	8.16	6.24	41.94	8.16	9.18
	1650	64.9	26.79	4.62	6.27	40.63	9.28	7.11	47.73	9.28	10.44
	1850	72.8	30.04	5.18	7.03	45.56	10.53	7.97	53.52	10.53	11.71
	2050	80.7	33.29	5.74	7.79	50.49	11.54	8.83	59.30	11.54	12.98

EN 442 Certification Data – BSRIA tested in accordance with BS EN 442

Type	K1			P+			K2		
Overall Height	500	650	750	500	650	750	500	650	750
Emitter Height	300	400	500	300	400	500	300	400	500
W/m at 80/60/20	507	661	839	727	969	1153	904	1141	1395
n-coefficients	1.26	1.35	1.32	1.32	1.32	1.34	1.31	1.34	1.36
Heated Surface Area (m ² /m)	2.09	2.95	3.80	2.44	3.37	4.31	3.51	4.92	6.33
Weight (kg/m)	9.31	12.78	16.24	14.29	19.46	24.63	16.18	22.87	28.93
Water Contents (l/m)	1.89	2.34	2.80	3.70	4.67	5.63	3.70	4.67	5.63

Stelrad LST Plus

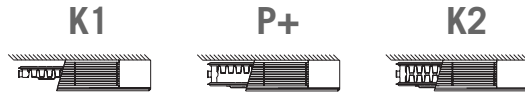
50 Δt



Casing Height	Casing Length mm	Emitter Height mm	Emitter Length mm	Heat output		Heat output		Heat output	
				Watts	Btu/hr	Watts	Btu/hr	Watts	Btu/hr
500	650	300	400	203	693	290	989	362	1235
	850	300	600	304	1037	435	1484	542	1849
	1050	300	800	406	1385	580	1979	723	2467
	1250	300	1000	507	1730	725	2474	904	3084
	1450	300	1200	608	2074	870	2968	1085	3702
	1650	300	1400	710	2423	1015	3463	1266	4320
	1850	300	1600	811	2767	1160	3958	1446	4934
	2050	300	1800	913	3115	1305	4453	1627	5551
650	650	400	400	264	901	388	1324	456	1556
	850	400	600	397	1355	581	1982	685	2337
	1050	400	800	529	1805	775	2644	913	3115
	1250	400	1000	661	2255	969	3306	1141	3893
	1450	400	1200	793	2706	1163	3968	1369	4671
	1650	400	1400	925	3156	1357	4630	1597	5449
	1850	400	1600	1058	3610	1550	5289	1825	6227
	2050	400	1800	1190	4060	1744	5951	2054	7008
750	650	500	400	336	1146	461	1573	558	1904
	850	500	600	503	1716	692	2361	837	2856
	1050	500	800	671	2289	922	3146	1116	3808
	1250	500	1000	839	2863	1153	3934	1395	4760
	1450	500	1200	1007	3436	1384	4722	1674	5712
	1650	500	1400	1175	4009	1614	5507	1953	6664
	1850	500	1600	1342	4579	1845	6295	2232	7616
	2050	500	1800	1510	5152	2075	7080	2511	8568

Stelrad LST Plus

40 Δt



Casing Height	Casing Length mm	Emitter Height mm	Emitter Length mm	Heat output		Heat output		Heat output	
				Watts	Btu/hr	Watts	Btu/hr	Watts	Btu/hr
500	650	300	400	152	518	217	740	271	924
	850	300	600	227	776	325	1110	405	1383
	1050	300	800	304	1036	434	1480	541	1845
	1250	300	1000	379	1294	542	1850	676	2307
	1450	300	1200	455	1552	651	2220	812	2769
	1650	300	1400	531	1812	759	2590	947	3231
	1850	300	1600	607	2070	868	2961	1082	3690
	2050	300	1800	683	2330	976	3331	1217	4152
650	650	400	400	197	674	290	990	341	1164
	850	400	600	297	1013	435	1483	512	1748
	1050	400	800	396	1350	580	1978	683	2330
	1250	400	1000	494	1687	725	2473	853	2912
	1450	400	1200	593	2024	870	2968	1024	3494
	1650	400	1400	692	2361	1015	3463	1195	4076
	1850	400	1600	791	2700	1159	3956	1365	4658
	2050	400	1800	890	3037	1305	4451	1536	5242
750	650	500	400	251	858	345	1177	417	1424
	850	500	600	376	1284	518	1766	626	2136
	1050	500	800	502	1713	690	2353	835	2848
	1250	500	1000	628	2141	862	2943	1043	3560
	1450	500	1200	753	2570	1035	3532	1252	4272
	1650	500	1400	879	2999	1207	4119	1461	4984
	1850	500	1600	1004	3425	1380	4709	1670	5696
	2050	500	1800	1129	3854	1552	5296	1878	6409

Connections

Each Stelrad LST standard radiator has 4 x 1/2" connections as standard, offering adaptable piping options; TBOE, TBSE, BOE.

Installation

The pack includes heat emitter, radiator panel, casing panels, kick grille and all required hardware fixings.

The emitter brackets are of a strong design with open top and deep slots for easy and secure installation.

Plastic inserts seat the radiator precisely on the bracket, minimising expansion and contraction noise.

The neat nickel-plated plug and vent provide a watertight joint.

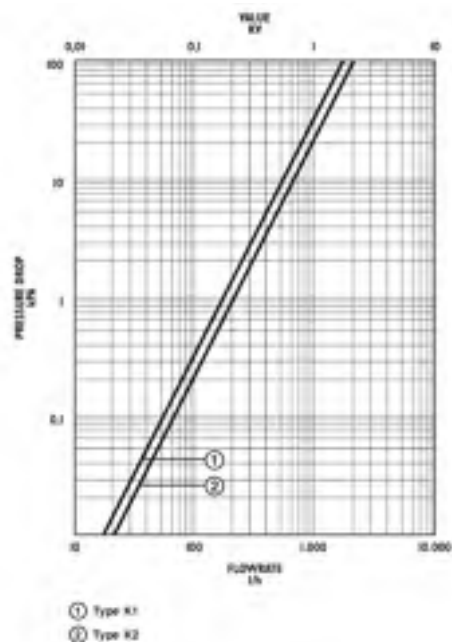


The Stelrad LST Standard emitter, showing high level valve option.



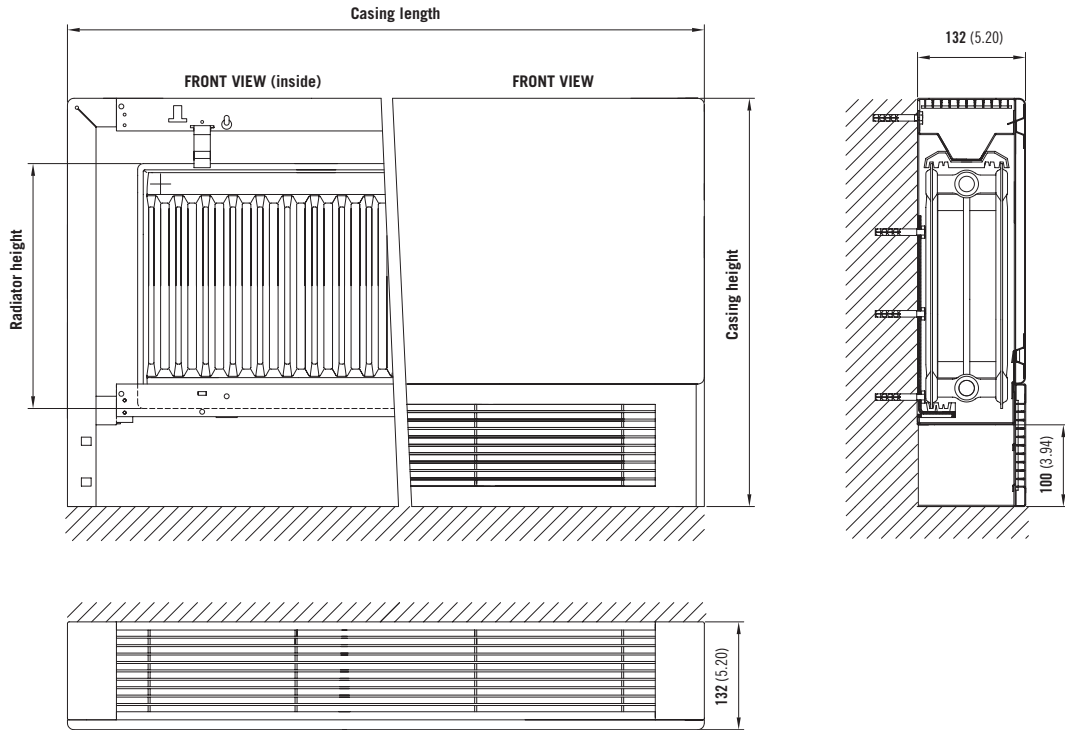
Inside the casing of the Stelrad LST Standard showing the emitter.

Pressure drops



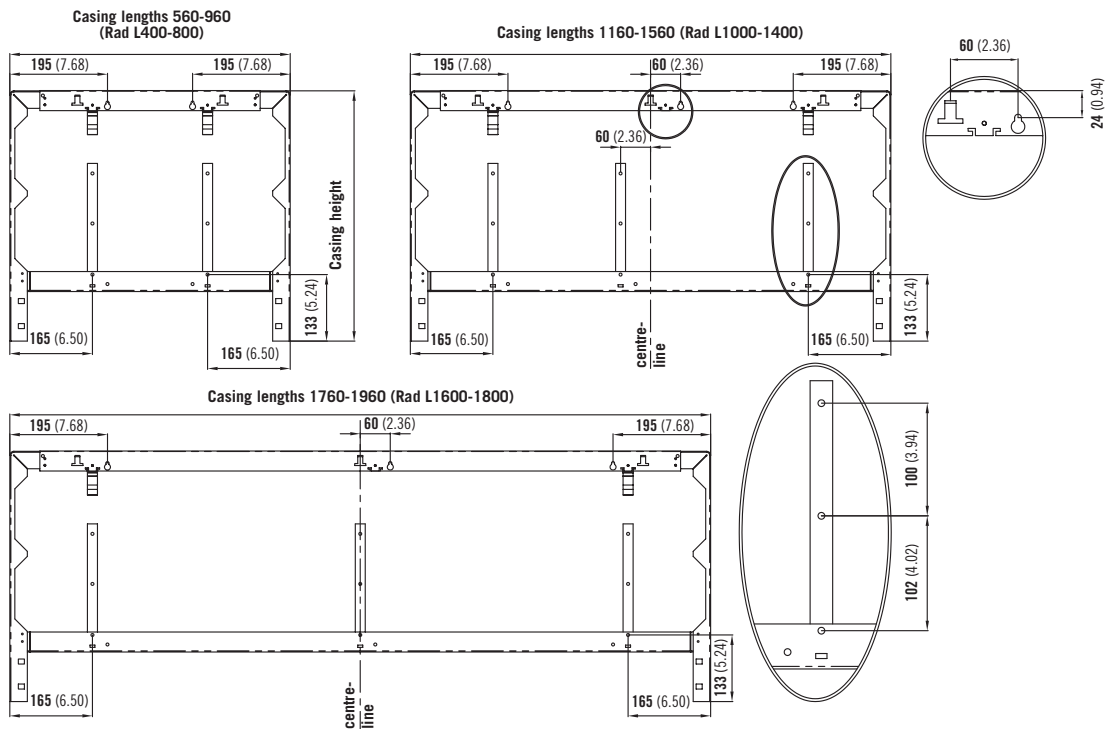
LST Standard wall mounted with integral kick grille

All dimensions in mm. Inches in brackets.



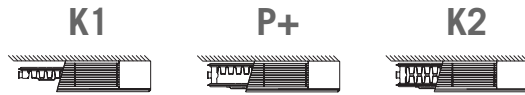
LST Standard wall fixings and bracket positions

All dimensions in mm. Inches in brackets.



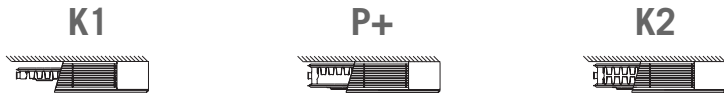
Stelrad LST Standard

30_{Δt}



Casing Height	Casing Length mm	Emitter Height mm	Emitter Length mm	Heat output		Heat output		Heat output	
				Watts	Btu/hr	Watts	Btu/hr	Watts	Btu/hr
500	560	300	400	101	344	146	499	179	611
	760	300	600	151	515	219	749	269	917
	960	300	800	201	687	293	998	358	1223
	1160	300	1000	252	859	366	1248	448	1529
	1360	300	1200	302	1031	439	1497	538	1834
	1560	300	1400	353	1204	512	1747	627	2140
	1760	300	1600	403	1374	585	1996	717	2446
	1960	300	1800	453	1546	658	2246	806	2752
650	560	450	400	149	510	199	678	246	840
	760	450	600	224	764	299	1019	369	1260
	960	450	800	299	1019	398	1358	492	1680
	1160	450	1000	373	1274	497	1697	615	2100
	1360	450	1200	448	1529	597	2037	739	2520
	1560	450	1400	523	1784	696	2376	862	2940
	1760	450	1600	597	2038	796	2717	985	3360
	1960	450	1800	672	2293	896	3056	1108	3780
800	560	600	400	188	641	258	880	317	1081
	760	600	600	282	963	387	1320	475	1620
	960	600	800	376	1283	516	1761	633	2161
	1160	600	1000	470	1604	645	2200	792	2701
	1360	600	1200	564	1926	774	2639	950	3240
	1560	600	1400	658	2246	903	3080	1108	3781
	1760	600	1600	752	2567	1032	3520	1266	4321
	1960	600	1800	846	2887	1161	3961	1425	4862

Weights & Measures



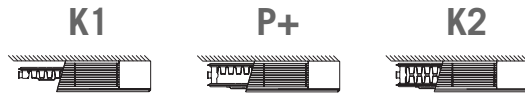
Casing Height	Casing Length mm	Casing Length in	Dry weight Kg	Water content Litres	Surface area m ² /m	Dry weight Kg	Water content Litres	Surface area m ² /m	Dry weight Kg	Water content Litres	Surface area m ² /m
760	29.9	13.52	1.43	1.58	17.25	1.43	1.85	18.54	2.87	2.66	
960	37.7	17.08	1.81	2.00	21.79	1.81	2.34	23.42	3.62	3.36	
1160	45.6	20.64	2.19	2.42	26.33	2.19	2.83	28.30	4.38	4.07	
1360	53.5	26.52	2.57	2.84	30.87	2.57	3.31	33.18	5.14	4.77	
1560	61.4	27.76	2.94	3.26	35.41	2.94	3.80	37.44	5.89	5.47	
1760	69.2	31.32	3.32	3.67	39.95	3.32	4.29	42.94	6.65	6.17	
1960	77.1	34.88	3.70	4.09	44.49	3.70	4.78	47.82	7.40	6.87	
650	560	22.0	13.16	1.43	1.88	17.20	1.43	2.15	18.64	2.87	3.14
	760	29.9	17.86	1.95	2.56	23.31	1.95	2.91	25.30	3.90	4.27
	960	37.7	22.56	2.49	3.23	29.49	2.46	3.68	31.96	4.93	5.39
	1160	45.6	27.26	2.98	3.90	35.61	2.98	4.45	38.62	5.96	6.51
	1360	53.5	31.96	3.49	4.58	41.77	3.49	4.62	45.28	6.99	7.64
	1560	61.4	36.66	4.00	5.25	47.92	4.00	5.30	57.94	8.01	8.87
	1760	69.2	41.36	4.52	5.94	54.06	4.52	6.75	58.60	9.04	9.89
	1960	77.1	46.06	5.03	6.60	60.21	5.03	7.52	65.26	10.07	11.01
800	560	22.0	16.46	1.82	2.60	21.50	1.82	2.93	23.80	3.64	4.33
	760	29.9	22.34	2.47	3.54	29.18	2.47	3.98	32.30	4.94	5.88
	960	37.7	28.22	3.12	4.47	36.86	3.12	4.99	40.80	6.24	7.43
	1160	45.6	34.10	3.77	5.40	44.54	3.77	6.07	49.80	7.54	8.97
	1360	53.5	39.98	4.42	6.33	52.22	4.42	7.12	57.80	8.84	10.52
	1560	61.4	45.86	5.07	7.26	59.90	5.07	8.17	66.30	10.14	12.07
	1760	69.2	51.74	5.72	8.20	67.58	5.72	9.22	74.80	11.44	13.62
	1960	77.1	57.62	6.37	9.13	75.26	6.37	10.27	83.30	12.74	15.17

EN 442 Certification Data – BSRIA tested in accordance with BS EN 442

Type	K1			P+			K2		
	500	650	800	500	650	800	500	650	800
Overall Height	500	650	800	500	650	800	500	650	800
Emitter Height	300	450	600	300	450	600	300	450	600
W/m at 75/65/20	489	725	913	710	966	1252	870	1195	1537
Heated Surface Area (m ² /m)	2.09	3.37	4.66	2.44	3.84	5.24	3.51	5.62	7.74
Weight (kg/m)	17.80	23.50	29.40	22.70	30.72	38.40	24.40	33.30	42.50
Water Contents (l/m)	1.89	2.57	3.25	3.78	5.14	6.50	3.78	5.14	6.50

Stelrad LST Standard

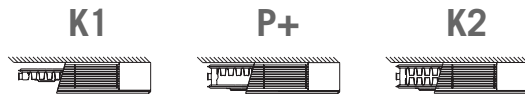
50 Δt



Casing Height	Casing Length mm	Emitter Height mm	Emitter Length mm	Heat output		Heat output		Heat output	
				Watts	Btu/hr	Watts	Btu/hr	Watts	Btu/hr
500	560	300	400	196	669	284	969	348	1187
	760	300	600	293	1000	426	1454	522	1781
	960	300	800	391	1334	568	1938	696	2375
	1160	300	1000	489	1668	710	2423	870	2968
	1360	300	1200	587	2003	852	2907	1044	3562
	1560	300	1400	685	2337	994	3392	1218	4156
	1760	300	1600	782	2668	1136	3876	1392	4750
	1960	300	1800	880	3003	1278	4361	1566	5343
650	560	450	400	290	989	386	1317	478	1631
	760	450	600	435	1484	580	1979	717	2446
	960	450	800	580	1979	773	2637	956	3262
	1160	450	1000	725	2474	966	3296	1195	4077
	1360	450	1200	870	2968	1159	3955	1434	4893
	1560	450	1400	1015	3463	1352	4613	1673	5708
	1760	450	1600	1160	3958	1546	5275	1912	6524
	1960	450	1800	1305	4453	1739	5933	2151	7341
800	560	600	400	365	1245	501	1709	615	2098
	760	600	600	548	1870	751	2562	922	3146
	960	600	800	730	2493	1002	3419	1230	4197
	1160	600	1000	913	3115	1252	4272	1537	5244
	1360	600	1200	1096	3740	1502	5125	1844	6295
	1560	600	1400	1278	4361	1753	5981	2152	7343
	1760	600	1600	1461	4985	2003	6837	2459	8393
	1960	600	1800	1643	5606	2254	7691	2767	9441

Stelrad LST Standard

40 Δt



Casing Height	Casing Length mm	Emitter Height mm	Emitter Length mm	Heat output		Heat output		Heat output	
				Watts	Btu/hr	Watts	Btu/hr	Watts	Btu/hr
500	560	300	400	147	500	212	725	260	888
	760	300	600	219	748	319	1087	390	1332
	960	300	800	292	998	425	1450	521	1776
	1160	300	1000	366	1248	531	1812	651	2220
	1360	300	1200	439	1498	637	2174	781	2664
	1560	300	1400	512	1748	744	2537	911	3109
	1760	300	1600	585	1996	850	2899	1041	3553
	1960	300	1800	658	2246	956	3262	1171	3997
650	560	450	400	217	740	289	985	358	1220
	760	450	600	325	1110	434	1480	536	1830
	960	450	800	434	1480	578	1973	715	2440
	1160	450	1000	542	1850	723	2465	894	3050
	1360	450	1200	651	2220	867	2958	1073	3660
	1560	450	1400	759	2590	1011	3451	1251	4270
	1760	450	1600	868	2961	1156	3946	1430	4880
	1960	450	1800	976	3331	1301	4438	1609	5490
800	560	600	400	273	932	375	1279	460	1570
	760	600	600	410	1399	562	1917	690	2353
	960	600	800	546	1863	749	2557	920	3139
	1160	600	1000	683	2330	936	3195	1150	3923
	1360	600	1200	820	2797	1123	3833	1379	4706
	1560	600	1400	956	3262	1311	4474	1610	5492
	1760	600	1600	1093	3729	1498	5112	1839	6276
	1960	600	1800	1229	4193	1686	5753	2070	7062

LST Standard & LST Plus

The complete choice

Stelrad, the UK's leading radiator manufacturer has created a range of low surface temperature radiators, which simplify product selection and are easy to install, providing the perfect solution for all your specification requirements in safety critical environments.

With a choice of Standard or Plus variations, the Stelrad LST range offers you the flexibility you need.

The LST Standard leaves you free to specify your preferred controls, whilst the LST Plus offers an integral remote sensing thermostat valve, the highly specified Danfoss RAS-D Remote Sensor, which can be pre-set to allow adjustment of room temperature. In addition, an arthritic adaptor is supplied as standard for special need environments, as well as a lockshield valve which can only be adjusted with a 6mm Allen key, hidden with a neat metal dust cover to discourage unauthorised tampering.

The complete performance

Every Stelrad LST radiator is supplied with an attractive, flat panel outer casing, which is totally reversible to allow piping flexibility. Simple and quick to install, the casing is held by security fittings with a unique seam fixing bracket system to prevent unauthorised access to the emitter accommodated inside. And for added protection, the smooth surface is coated in anti-bacterial paint.

The emitter itself provides high outputs through convection for outstanding heating performance. Strictly controlled independent laboratory testing ensures that each emitter is guaranteed to perform to a maximum working pressure of 116 psi (8 bar) and conform to BS EN 442, the European Standard for radiators.

Whether the LST Standard or LST Plus is better suited to your requirements, you will find all the specified components required supplied in one robust package, and, as you would expect from Stelrad, every LST radiator is guaranteed to deliver outstanding performance and dependability.



NEW

LST Plus & Vertical

Vertical Plus 3 models

Height: 2110mm

Lengths: 560mm to 760mm

Outputs: 1335 to 1862 watts, 4555 to 6353 Btu/hr



Plus 72 models

Heights: 500 to 800mm

Lengths: 560mm to 1960mm

Outputs: 203 to 2511 watts, 692 to 8566 Btu/hr

