

# installation

## programmable room thermostat option kit

Your Ideal installation guide

When replacing any part on this kit, use only spare parts that you can be assured conform to the safety and performance specification that we require. Do not use reconditioned or copy parts that have not been clearly authorised by Ideal Boilers.

**i** *Ideal* BOILERS  
The High Efficiency Pioneers

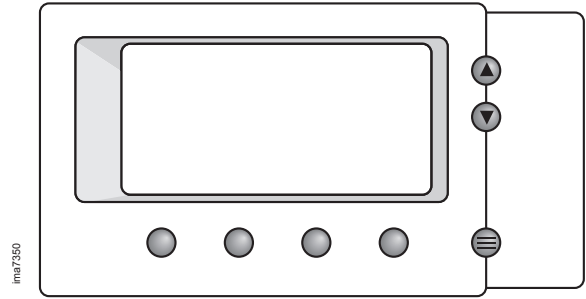
## INTRODUCTION

Kit Contents:

**Programmable Room Thermostat ..... 1 off**  
**Clip-in Interface Device ..... 1 off**

This kit is suitable only for the following boilers listed:

imax W45	imax xtra F80
imax W60	imax xtra F120
imax W80	imax xtra F160
imax W 100	imax xtra F200
imax W45P	imax xtra F240
imax W60P	imax xtra F280
imax W80P	



The programmable room thermostat module provides automatic time and temperature control of the central heating system and can be employed on all variants of the imax boiler. This module incorporates user controls and integral room temperature sensor.

The OpenTherm® clip-in interface device enables the exchange of data between the module and the boiler, using a simple two-wire bus connection.

## LOCATING THE KIT

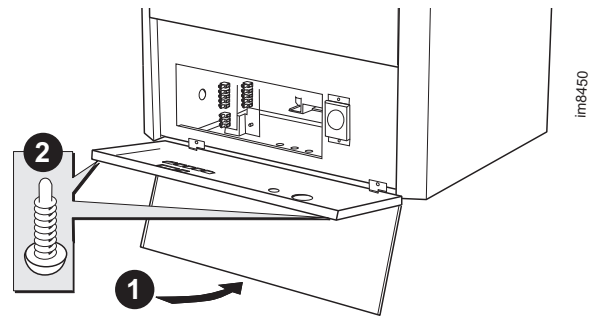
The interface device attaches to the main boiler control module located within the imax control box.

### 1 FITTING THE KIT

Switch off and disconnect the electricity supply to the boiler and any external controls.

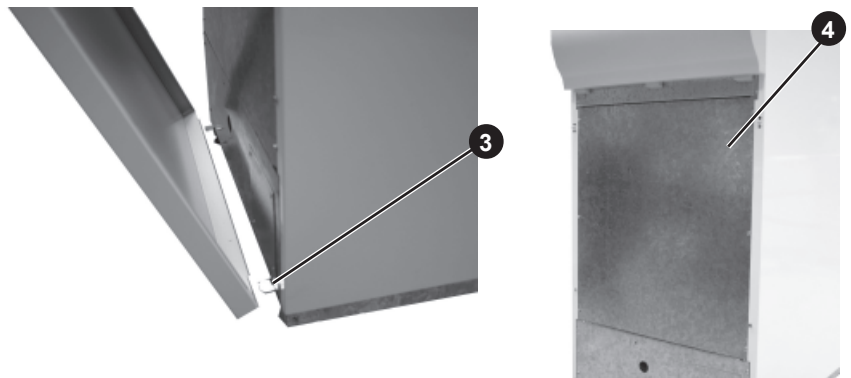
#### imax W

1. Press the centre of the lower casing door to unlatch the magnetic catch and lower it.
2. Remove the two screws from the control fascia and lower it to expose the interior of the control box.



#### imax xtra

3. Pull the front panel forwards at the top, lift off the bottom retaining lugs and remove.
4. Loosen 3 screws on one side of the inner front panel and undo the 3 screws from the other side. The panel will now slide to one side for removal.



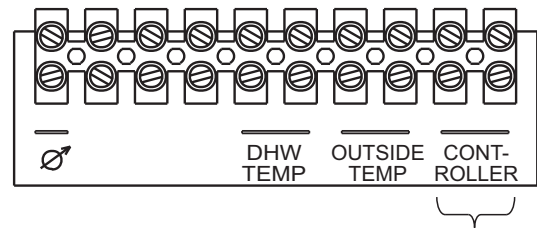
## 2 PROGRAMMABLE ROOM THERMOSTAT BOILER ELECTRICAL CONNECTION

### imax W

Route the external programmable room thermostat signal control cable into the boiler control box via the cable gland fittings located on the bottom panel of the **imax** boiler. Wire the cable directly to the boiler's installer connection rail as shown in the diagram below. Note: The OpenTherm® communicating bus system operates irrespective of polarity.

Replace boiler front panel.

### imax W Connection



Connection OpenTherm®  
Communication bus.  
(Polarity independent)

### imax xtra

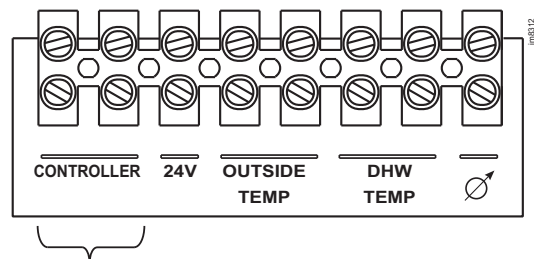
Route the external programmable room thermostat signal control cable onto the boiler control panel through the low voltage cable conduit running from the rear of the boiler on the left side. Wire the cable directly to the terminals shown in the diagram. Anchor the cable using one of the cable clamps provided on the control panel.

#### Note.

The OpenTherm® communicating bus system operates irrespective of polarity.

Re-assemble the boiler front panels in reverse order.

### imax xtra Connection



Connection OpenTherm®  
Communication bus.  
(Polarity independent)

### WARNING

**Care must be taken to ensure a mains potential supply is not accidentally connected to programmable room thermostat. This would seriously damage the unit.**

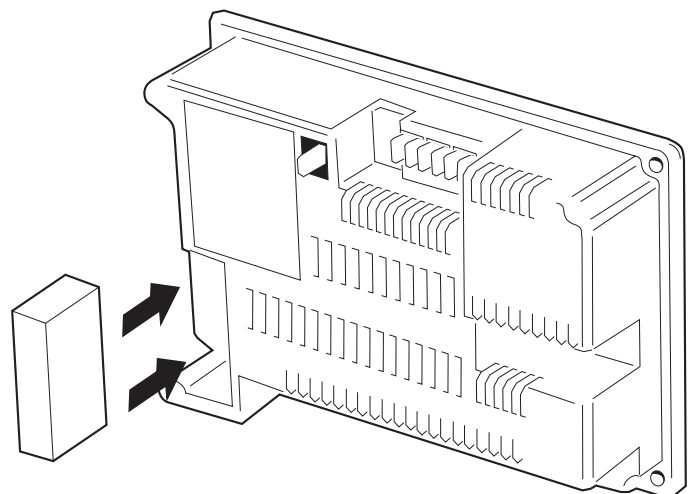
## 3 CLIP-IN INTERFACE DEVICE

### imax W

Identify the main boiler control module located at the rear of the imax control box. Locate the clip-in interface device into the socket located on the lower left hand front face of the control module. Carefully orientate the interface device onto the socket pins and press home to click it into place.

### imax xtra

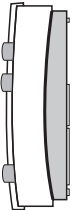
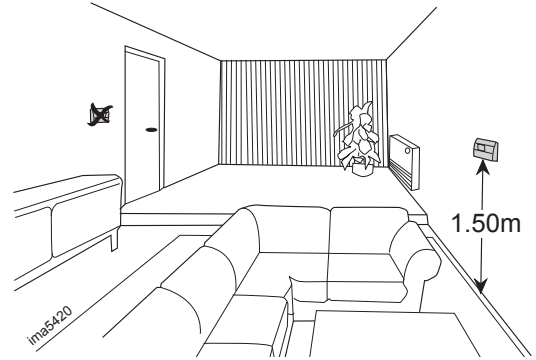
Identify the main boiler control module located on the main control panel. Locate the clip-in interface device into the socket located on the lower left hand front face of the control module. Carefully orientate the interface device onto the socket pins and press home to click it into place.



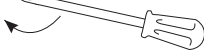
ima5407

## 4 FITTING THE PROGRAMMABLE ROOM THERMOSTAT MODULE

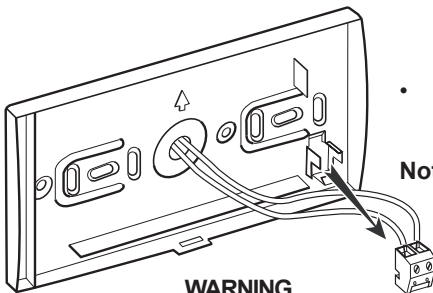
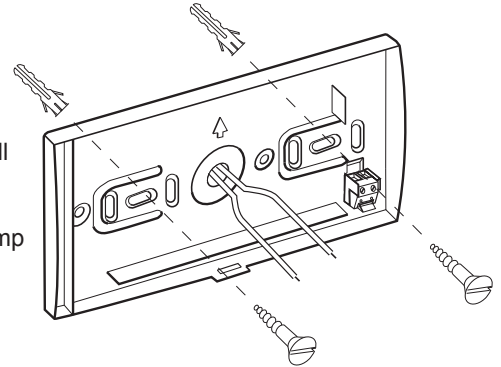
Since the module includes a room temperature sensor, it should be located approximately 1.5 metres high on a wall located in the space to be heated, ensuring user controls can be readily accessed. Avoid locations affected by draughts created by windows/doors, or heating effect created by independent heaters. The module is wired to the boiler's OpenTherm® bus connection using twin core cable of core section not exceeding 2.5mm<sup>2</sup>. Maximum permissible cable length is 50 metres.



- Isolate all electrical supply sources to the heating system and boiler.
- Remove room thermostat module back panel by carefully depressing tab fastener on the lower face of the module's body.



- Screw and plug back panel to the wall using 2 x wall screws and plugs provided. Alternatively the back panel can be located onto a standard 13 amp back box sunken into the wall.



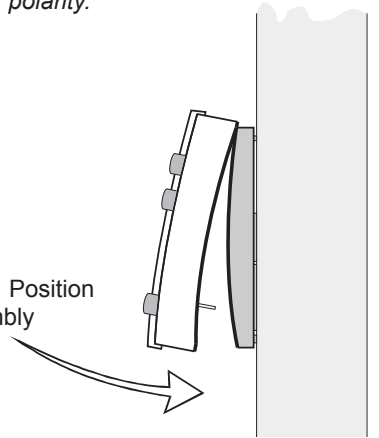
- Connect the OpenTherm® communicating bus signal cable to the two terminals located at the rear of the back panel.

**Note.** The communicating bus operates independent of polarity.

### WARNING

Care must be taken to ensure a mains voltage supply is not accidentally connected to the programmable room thermostat. This will seriously damage the unit.

- Locate hook tabs on top edge of room thermostat module. Position these onto upper edge of back panel, and hinge the assembly down to click the lower fastening tab in place.
- Pull down the module's user access front door and fit user instructions label within.



## Technical Training

The Ideal Boilers Technical Training Centre offers a series of first class training courses for domestic, commercial and industrial heating installers, engineers and system specifiers. For details of courses please ring: ..... 01482 498 432

**Ideal Boilers**, P.O. Box 103, National Ave, Kingston upon Hull, HU5 4JN. Telephone: 01482 492 251 Fax: 01482 448 858. Registration No. London 322 137.

**Ideal Stelrad Group** pursues a policy of continuing improvement in the design and performance of its products. The right is therefore reserved to vary specification without notice.



**iIdeal** BOILERS  
The High Efficiency Pioneers

January 2008

UIN 158 708 A03



Ideal Stelrad Group

**Ideal Installer/Technical Helpline: 01482 498 376**  
**www.idealboilers.com**